

lichtmacher



Einbauleuchten



DOT Tilt 68



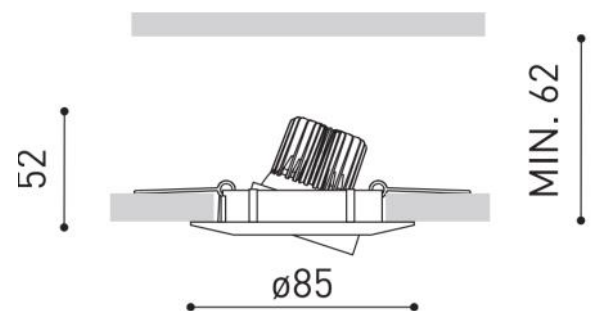
				P	CCT	I	Flux	LOR
DOT Tilt 68	A081-01-10-	W NS		5W	2700K	140mA	700Lm	92%
	A081-01-11-	W NS		5W	3000K	140mA	730Lm	92%
	A081-01-12-	W NS		5W	4000K	140mA	750Lm	92%
	A081-02- ① -0-	W NS		7,5W	2700K	200mA	950Lm	92%
	A081-02- ① -1-	W NS		7,5W	3000K	200mA	1000Lm	92%
	A081-02- ① -2-	W NS		7,5W	4000K	200mA	1030Lm	92%



| 220 240 V~ | | IP20 | CRI>80 | L80B10 >60.000h | MacAdam Step 2 | OPTIONS* | INCL | FAST I CONNEC | 30° | 38°

① *OPTIONS

1	No DIM
2	DIM Phase Cut
3	DIM DALI Push



COLOUR | W RAL 9016 | NS | MATERIAL | AL |

» 368

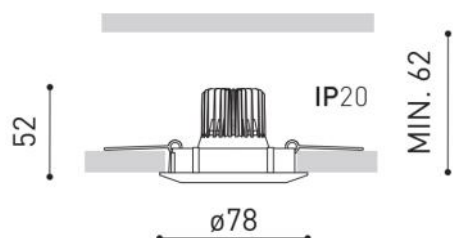
* OTHER DIM OPTIONS PLEASE CONSULT

& » PLEASE CONSULT



				P	CCT	I	Flux	LOR
DOT Fix	A061-01-10-	W	IP43	5W	2700K	140mA	700 lm	92%
	A061-01-11-	W	IP43	5W	3000K	140mA	730 lm	92%
	A061-01-12-	W	IP43	5W	4000K	140mA	750 lm	92%
	A061-02- Ⓞ -0-	W	IP43	7,5W	2700K	200mA	950 lm	92%
	A061-02- Ⓞ -1-	W	IP43	7,5W	3000K	200mA	1000 lm	92%
	A061-02- Ⓞ -2-	W	IP43	7,5W	4000K	200mA	1030 lm	92%
DOT Fix IP54	A067-01-10-	W	IP54	5W	2700K	140mA	700 lm	75%
	A067-01-11-	W	IP54	5W	3000K	140mA	730 lm	75%
	A067-01-12-	W	IP54	5W	4000K	140mA	750 lm	75%
	A067-02- Ⓞ -0-	W	IP54	7,5W	2700K	200mA	950 lm	75%
	A067-02- Ⓞ -1-	W	IP54	7,5W	3000K	200mA	1000 lm	75%
	A067-02- Ⓞ -2-	W	IP54	7,5W	4000K	200mA	1030 lm	75%

220 V~ |  CRI>80 | L80B10 >60.000h



 IP43/54

COLOUR | W RAL 9016 | NS | MATERIAL | AL |

 » 368

* OTHER DIM OPTIONS PLEASE CONSULT

 » PLEASE CONSULT

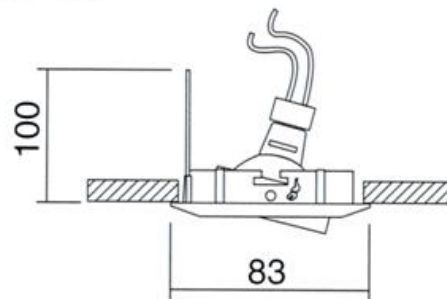


1
Str 10-472 Chrom/EBL
 außen Ø 9 cm
 schwenkbar/adjustable
 DA/hole Ø 8 cm
 ET/depth Ø 9 cm (Halogen)
 1×GU10/50 W
 exkl. LM/excl. bulb
 inkl. Fassung und Anschluss-
 garnitur/incl. lampholder
 and connecting box

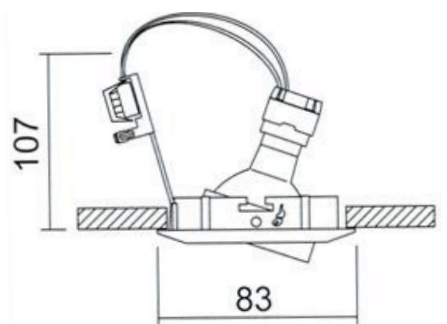
2 Str 10-472 Weiß/EBL
3 Str 10-472 Satin/EBL
4 Str 10-472 Schwarz/EBL
5 Str 10-472 Gold/EBL



Art. Nr. **5040-02**
5040-01, -03, -04, -09, -11, -13, -16, -28
 12V · MR16 · 50W



Art. Nr. **5040H-02**
5040H-01, -03, -04, -09, -11, -13, -16, -28
 230V · GU10 · 50W



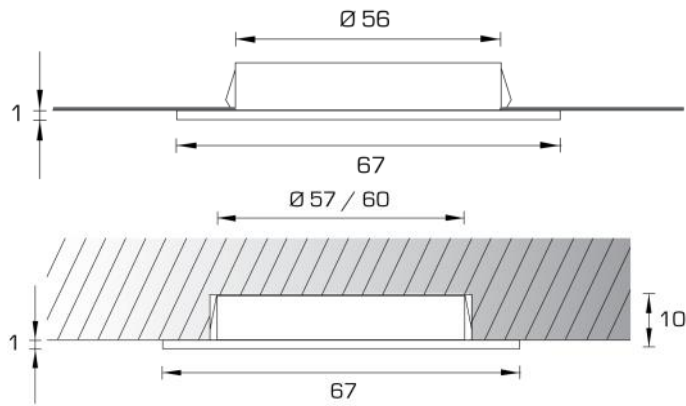
IP20 $\frac{d}{0.5m}$ F Alum. CE

Schwenkbar,
 Bajonettverschluß
 *Karton (50 Stk.)

MR16 GU10 IP20
 $\frac{d}{0.5m}$ F Alum.
 CE **A+**

\varnothing 83 mm
 \varnothing 68 mm
 65 | 78 mm

Einbauleuchte SUN



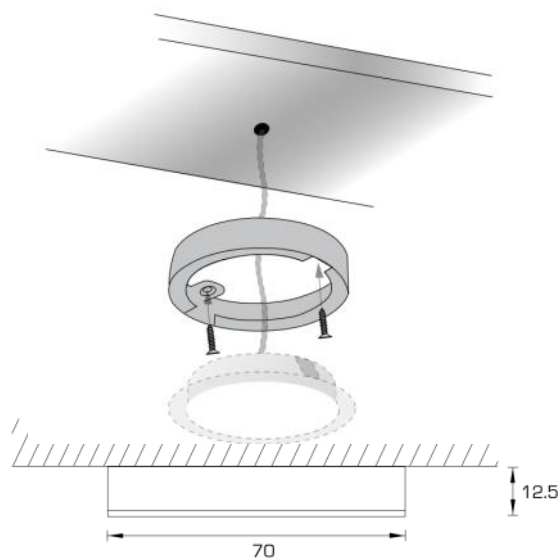
3.5 W LED-Einbaustrahler mit Metall-Gehäuse und Polykarbonatabdeckung.

Lichtfarbe	3000K	410lm
Konverter	350mA	
Kabellänge	2000mm	
Ø	57 - 60mm	



Artikel Nr. 1730020B	Weiss
Artikel Nr. 1730020C	Chrom glanz
Artikel Nr. 1730020A	Edelstahl

04860435	Konverter LED 4W 350mA nicht dim (1)
04860835	Konverter LED 8W 350mA nicht dim (2)
105348	Konverter LED 18W 350mA dim (5)
1T300	Anschlussbox 350mA 4Fach



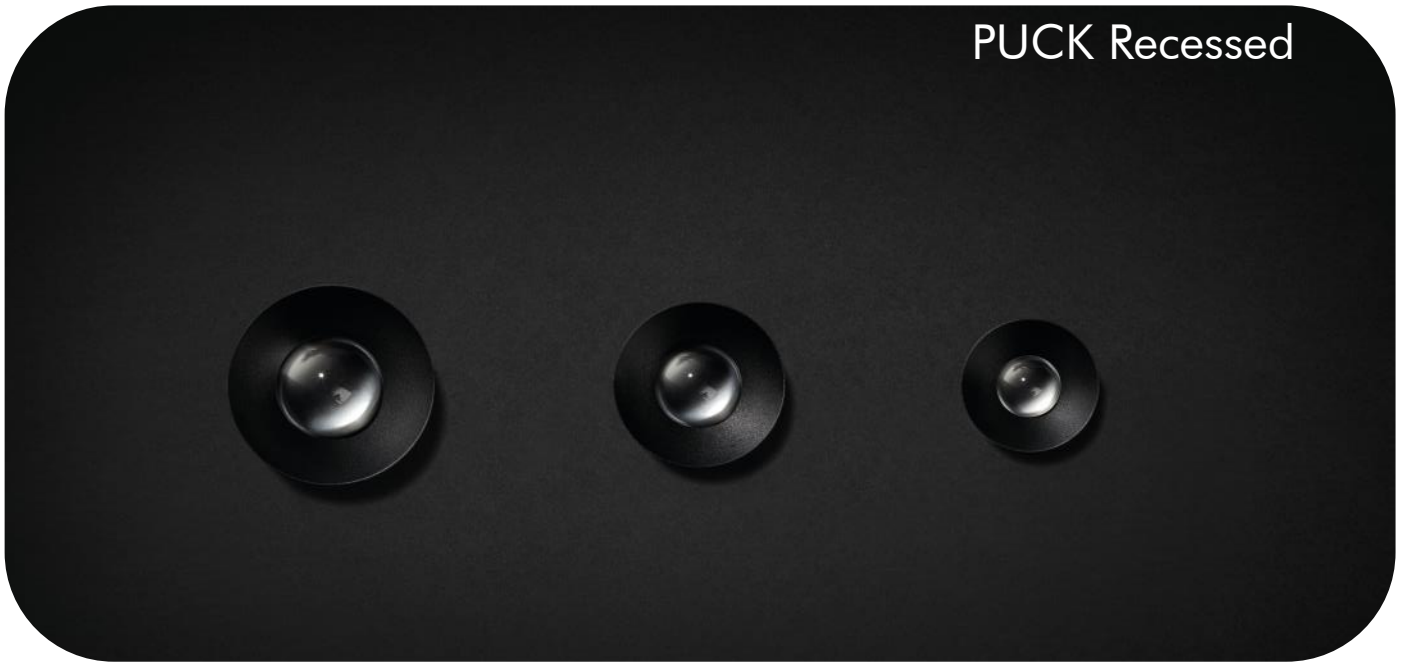
AP Gehäuse zu Einbauleuchte aus Polykarbonat
Höhe 12.5mm Ø 70mm

Aufbauring SUN



Artikel Nr. 6730022B	Weiss
Artikel Nr. 6730022C	Chrom glanz
Artikel Nr. 6730022A	Edelstahl

PUCK Recessed



					P	CCT	I	Flux	LOR
PUCK S Recessed	A313-00- (C) -0- WT NT	IP20	5W	2700K	150mA	670 lm	80%		
	A313-00- (C) -1- WT NT	IP20	5W	3000K	150mA	700 lm	80%		
	A313-00- (C) -2- WT NT	IP20	5W	4000K	150mA	710 lm	80%		
PUCK S Recessed IP54	A314-00- (C) -0- WT NT	IP54	5W	2700K	150mA	670 lm	80%		
	A314-00- (C) -1- WT NT	IP54	5W	3000K	150mA	700 lm	80%		
	A314-00- (C) -2- WT NT	IP54	5W	4000K	150mA	710 lm	80%		

220 V~ | 240 V~ | CRI>90 | L80B10 >40,000h



					P	CCT	I	Flux	LOR
PUCK M Recessed	A313-10- (C) -0- WT NT	IP20	9W	2700K	500mA	1040 lm	80%		
	A313-10- (C) -1- WT NT	IP20	9W	3000K	500mA	1080 lm	80%		
	A313-10- (C) -2- WT NT	IP20	9W	4000K	500mA	1100 lm	80%		
PUCK M Recessed IP54	A314-10- (C) -0- WT NT	IP54	9W	2700K	500mA	1040 lm	80%		
	A314-10- (C) -1- WT NT	IP54	9W	3000K	500mA	1080 lm	80%		
	A314-10- (C) -2- WT NT	IP54	9W	4000K	500mA	1100 lm	80%		

220 V~ | 240 V~ | CRI>90 | L80B10 >40,000h

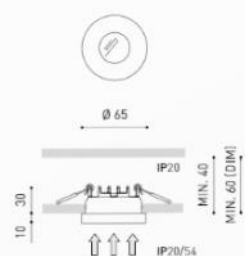


					P	CCT	I	Flux	LOR
PUCK L Recessed	A313-20- (C) -0- WT NT	IP20	12W	2700K	350mA	1550 lm	82%		
	A313-20- (C) -1- WT NT	IP20	12W	3000K	350mA	1610 lm	82%		
	A313-20- (C) -2- WT NT	IP20	12W	4000K	350mA	1640 lm	82%		
PUCK L Recessed IP54	A314-20- (C) -0- WT NT	IP54	12W	2700K	350mA	1550 lm	82%		
	A314-20- (C) -1- WT NT	IP54	12W	3000K	350mA	1610 lm	82%		
	A314-20- (C) -2- WT NT	IP54	12W	4000K	350mA	1640 lm	82%		

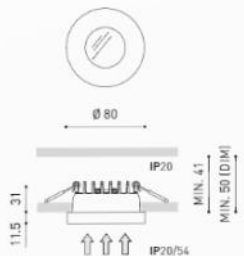
220 V~ | 240 V~ | CRI>90 | L80B10 >40,000h



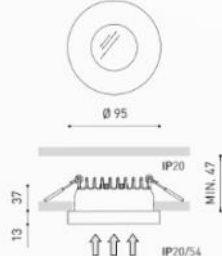
PUCK S RECESSED



PUCK M RECESSED



PUCK L RECESSED



(C) *OPTIONS

- 1 No DIM
- 2 DIM DALI | Push

COLOUR | WT □ | NT ■ |

MATERIAL | AL | OPTICAL GLASS |

RAL ⓘ = 538

(C) & (C) = PLEASE CONSULT

New Tria 68






DL, Phase

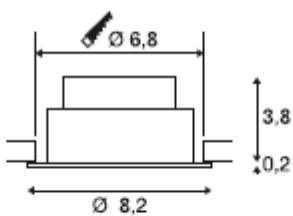


220-240V ~50/60Hz | 200mA
 Systemleistung: 8.3W
 Material: Aluminium

- Materialstärke Einbaufäche: 20 mm max.



					Art. Nr.
30°	IP 20	2700K	705lm	38°	1007386
		2700K	705lm	60°	1007388
		3000K	750lm	38°	1007390
		3000K	750lm	60°	1007392
30°	IP 20	2700K	705lm	38°	1007385
		2700K	705lm	60°	1007387
		3000K	750lm	38°	1007389
		3000K	750lm	60°	1007391

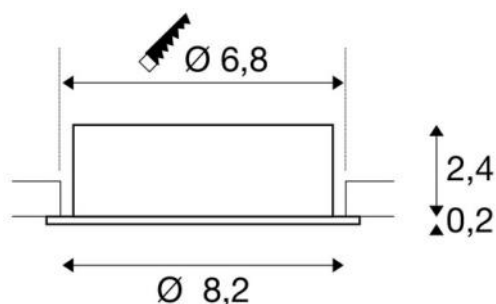


New Trio 68 rund



230V ~50Hz
Material: Aluminium

- Produkte werden mit Clipfedern geliefert. Blattfedern liegen dem Produkt bei und können ausgetauscht werden.
- Materialstarke Einbaufäche: 20 mm



Variante	Art. Nr.
1xGU10	
■ schwarz	1007369
1xGU10	
□ weiß	1007368
1xGU10	
■ aluminium	1007370



SLV – NEW TRIA XL



SLV



Produktangaben

230V ~50Hz
Material: Aluminium

Hinweis

Materialstärke Einbaufäche: 18 mm

Leuchtmittelangaben

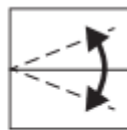
max. 50W QPAR51



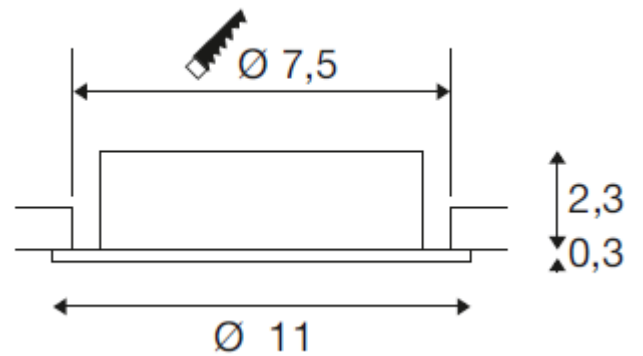
IP20



IK02



30°



Variante	Art. Nr.
GU10 QPAR51 ■ matt schwarz	1007625
GU10 QPAR51 □ matt weiß	1007624
GU10 QPAR51 ■ matt aluminium	1007626

SWAP



reddot design award
winner 2015



CUT-OUT MEASURES

④ 62-126

Swap. (S)



④ 62-66
+

④ 66-78

Swap. (M)



④ 75-79
+

④ 79-91

Swap. (L)



④ 85-89
+

④ 89-101

Swap. (XL)



④ 101-105
+

④ 105-126

④ 75-101

Swap. (M)
Asymmetric



④ 75-79
+

④ 79-91

Swap. (L)
Asymmetric



④ 85-89
+

④ 89-101

④ 85-101

Swap.
Square



④ 85-89
+

④ 89-101

Swap.
Square Asymmetric



④ 85-89
+

④ 89-101

COLOUR | W □ | R ■ | G ■ | Z ■ | WN □■ | N ■ | MATERIAL | AL | PC | PC | PC | RAL ⓘ » 365

** OTHER DIM OPTIONS PLEASE CONSULT | COLOURS MAY AFFECT THE LIGHTING PARAMETERS

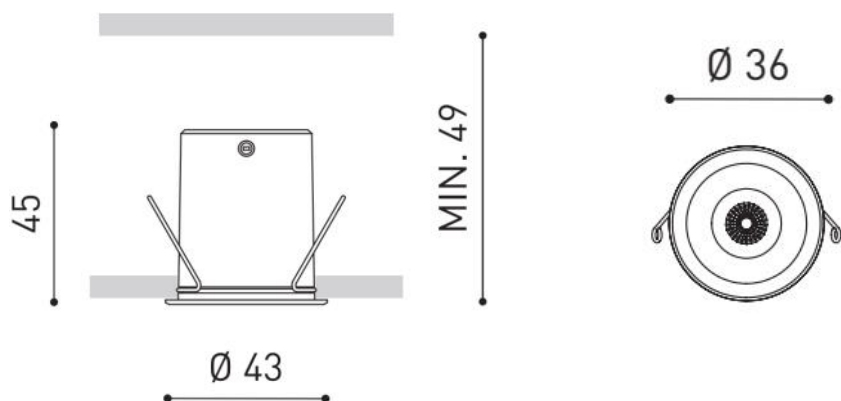
ⓧ & 🔋 » PLEASE CONSULT

SHOT LIGHT



		P	CCT	Beam	I	Flux	LOR
SHOT LIGHT	A268-01-10- N R G Z WN W	2,1W	2700K	17°	700mA	190Lm	92%
	A268-01-11- N R G Z WN W	2,1W	3000K	17°	700mA	210Lm	92%
	A268-01-12- N R G Z WN W	2,1W	4000K	17°	700mA	250Lm	92%
	A268-01-20- N R G Z WN W	2,1W	2700K	35°	700mA	190Lm	93%
	A268-01-21- N R G Z WN W	2,1W	3000K	35°	700mA	210Lm	93%
	A268-01-22- N R G Z WN W	2,1W	4000K	35°	700mA	250Lm	93%

LED | 220/240 V~ | ELV01 CE | IP20 | CRI>90 | L80B10 >60.000 h | MacAdam Step 3 | OPTIONS* | CONNEX | INCL | Ø38 | UGR <19 | 17°/35°



Shot Light Big

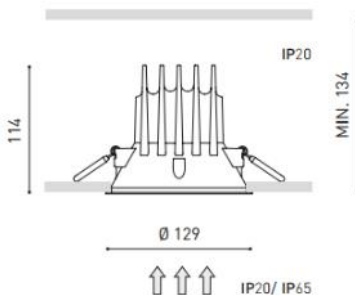


MORE INFO >>

⊗	BEAM OPTIONS
1	18°
2	49°

		P	CCT	I	Flux	LOR
SHOT LIGHT Big 1	A448-11-⊗-0- N	11,8W	2700K	350mA	1490 lm	89%
	A448-11-⊗-1- N	11,8W	3000K	350mA	1600 lm	89%
	A448-11-⊗-2- N	11,8W	4000K	350mA	1720 lm	89%
SHOT LIGHT Big 2	A448-21-⊗-0- N	17,5W	2700K	500mA	2010 lm	89%
	A448-21-⊗-1- N	17,5W	3000K	500mA	2160 lm	89%
	A448-21-⊗-2- N	17,5W	4000K	500mA	2320 lm	89%
SHOT LIGHT Big 3	A448-31-⊗-0- N	25,3W	2700K	700mA	2600 lm	89%
	A448-31-⊗-1- N	25,3W	3000K	700mA	2780 lm	89%
	A448-31-⊗-2- N	25,3W	4000K	700mA	3000 lm	89%
DALI*	A448-32-⊗-0- N	25,3W	2700K	700mA	2600 lm	89%
	A448-32-⊗-1- N	25,3W	3000K	700mA	2780 lm	89%
	A448-32-⊗-2- N	25,3W	4000K	700mA	3000 lm	89%
PUSH*	A448-33-⊗-0- N	25,3W	2700K	700mA	2600 lm	89%
	A448-33-⊗-1- N	25,3W	3000K	700mA	2780 lm	89%
	A448-33-⊗-2- N	25,3W	4000K	700mA	3000 lm	89%

220 V~ | IP20 | CRI>90 | L80B10 >60.000h
 * DIM PHASE CUT & OTHER DIM OPTIONS PLEASE CONSULT



		P	CCT	I	Flux	LOR
SHOT LIGHT Big IP65 1	A449-11-20- N W	11,8W	2700K	350mA	1490 lm	86%
	A449-11-21- N W	11,8W	3000K	350mA	1600 lm	86%
	A449-11-22- N W	11,8W	4000K	350mA	1720 lm	86%
SHOT LIGHT Big IP65 2	A449-21-20- N W	17,5W	2700K	500mA	2010 lm	86%
	A449-21-21- N W	17,5W	3000K	500mA	2160 lm	86%
	A449-21-22- N W	17,5W	4000K	500mA	2320 lm	86%
SHOT LIGHT Big IP65 3	A449-31-20- N W	25,3W	2700K	700mA	2600 lm	86%
	A449-31-21- N W	25,3W	3000K	700mA	2780 lm	86%
	A449-31-22- N W	25,3W	4000K	700mA	3000 lm	86%
DALI*	A449-32-20- N W	25,3W	2700K	700mA	2600 lm	86%
	A449-32-21- N W	25,3W	3000K	700mA	2780 lm	86%
	A449-32-22- N W	25,3W	4000K	700mA	3000 lm	86%
PUSH*	A449-33-20- N W	25,3W	2700K	700mA	2600 lm	86%
	A449-33-21- N W	25,3W	3000K	700mA	2780 lm	86%
	A449-33-22- N W	25,3W	4000K	700mA	3000 lm	86%

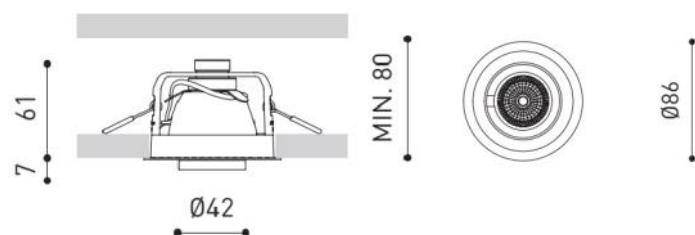
220 V~ | IP65 | CRI>90 | L80B10 >60.000h
 * DIM PHASE CUT & OTHER DIM OPTIONS PLEASE CONSULT





		P	CCT	Beam	I	Flux	LOR
POP UP	A278-2- ☉ -10- WT NT	6,5W	2700K	20°	700mA	610Lm	92%
	A278-2- ☉ -11- WT NT	6,5W	3000K	20°	700mA	640Lm	92%
	A278-2- ☉ -12- WT NT	6,5W	4000K	20°	700mA	660Lm	92%
	A278-2- ☉ -20- WT NT	6,5W	2700K	30°	700mA	610Lm	89%
	A278-2- ☉ -21- WT NT	6,5W	3000K	30°	700mA	640Lm	89%
	A278-2- ☉ -22- WT NT	6,5W	4000K	30°	700mA	660Lm	89%
	A278-2- ☉ -30- WT NT	6,5W	2700K	56°	700mA	610Lm	86%
	A278-2- ☉ -31- WT NT	6,5W	3000K	56°	700mA	640Lm	86%
	A278-2- ☉ -32- WT NT	6,5W	4000K	56°	700mA	660Lm	86%

LED | 220/240 V~ | CE | IP20 | CRI>90 | L80B10 >60.000h |
 MacAdam Step 2 | OPTIONS* | CONNEX | INCL | 355° | 90° | Ø79 | 20° / 30° / 56°



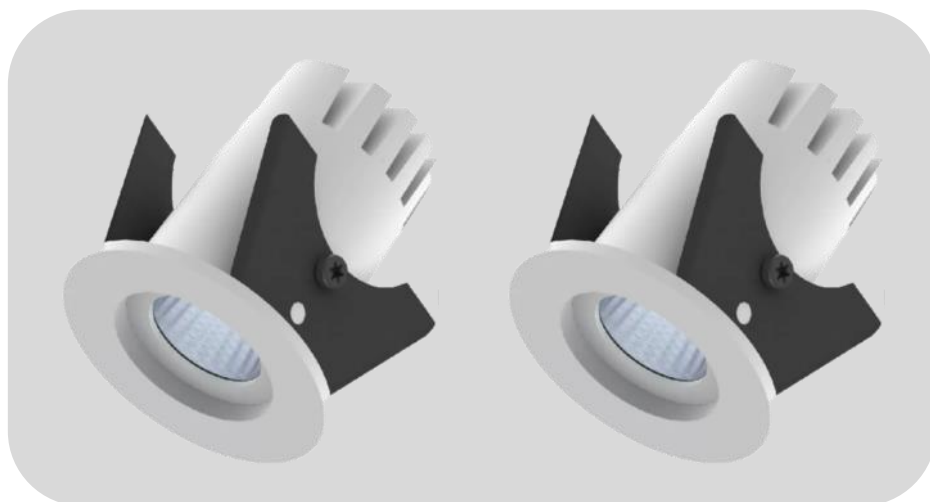
☉	*OPTIONS
1	No DIM
2	DIM Push
3	DIM 1-10V
4	DIM DALI

COLOUR | WT RAL 9016 | NT RAL 9005 | MATERIAL | AL | PC | i » 368

** AFFECTS THE LIGHTING PARAMETERS

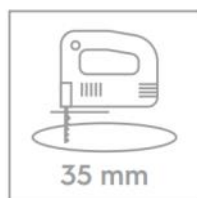
» PLEASE CONSULT

Weiss II 0135035



Verwendung von CS (Beton)-Federn (Beton/Gyproc)

Für 5-80 mm Deckenstärke.
Einbautiefe 80 mm (inkl. 5 mm Platz für Belüftung).

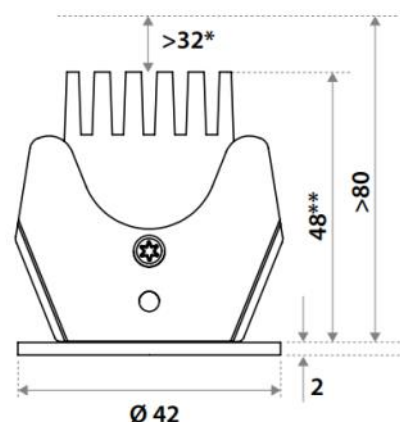


Nur wenn das Produkt in eine geschlossene Decke eingebaut wird, darf es Spritzwasser ausgesetzt werden, und zwar nur auf der Vorderseite.



* Dieser Abstand ist notwendig wegen der Höhe des Anschlussdose (80 mm). Aus reinem Wärme Aspekt reichen 5 mm aus.

** Bei WS-Federn beträgt dieses Mass ist 60 mm

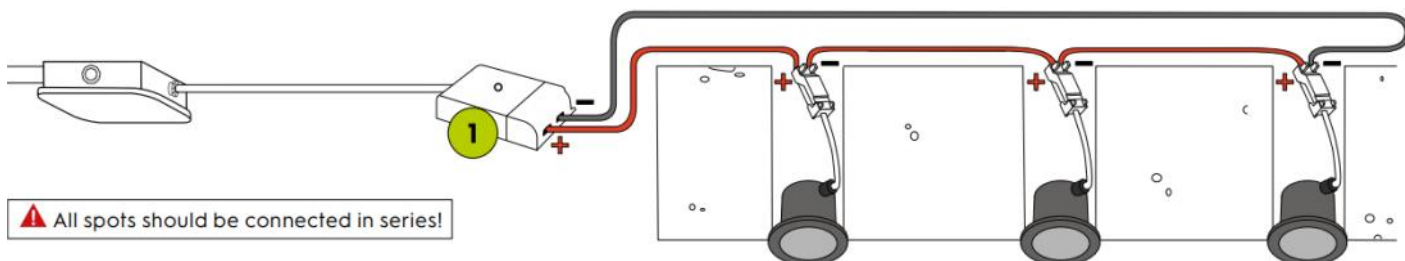


SPECIFICATIONS

Beam angle (FWHM)	40° (65° FWTM)
Fixture material	Housing: Die cast aluminium / Reflector glass: Polycarbonate
Environment	Indoor
IK rate	IK03
Operating temperature (Ta)	-20°C / +45°C ¹
Safety marks	EN60598 / EN62031 / EN62471
EMC compliance	EN55015
Colour consistency (SDCM)	MacAdam step 3
Energy class	A
Converter	EXCL.

ITEM SPECIFICATIONS (PART A)

Description	Input	Vf	W	Lm	Lm/W	CRI (typ.)	UGR	Pf	Ripple	Inrush current	B-16A Fuse	Colors black	white
Fluxe 35 LV-C 350mA 400 Lm 3000K Dim	350mA	11,9	4,5	400	89	82	14,4	x	x	x	x	Ic 0135035	Ic 0135036





ORBITAL

MINI



P

ORBITAL Mini 1 LarK

A196-11-00- | W | N |

MAX 1 X 7,5W



220
240 V~



IP20



EXCL



X30°Y30°



113 X 113



ORBITAL Mini 1 230V

A196-13-00- | W | N |

MAX 1 X 50W



GZ10

220
240 V~



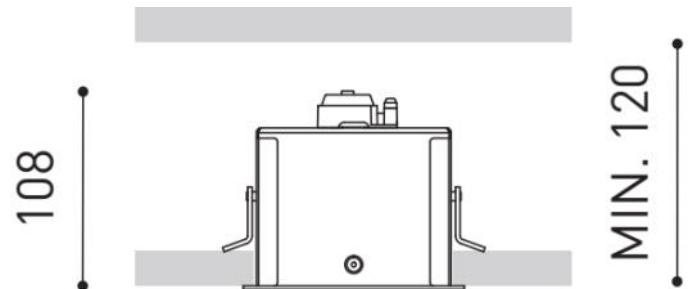
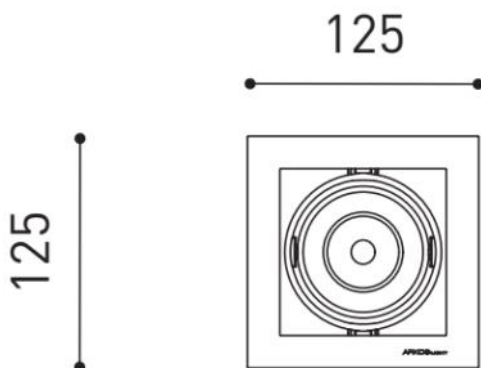
IP20



X30°Y30°



113 X 113



COLOUR | W RAL 9016 | N RAL 9005 | Z RAL 9006 |

MATERIAL | AL |

» 368

& » PLEASE CONSULT

DOT Square Tilt



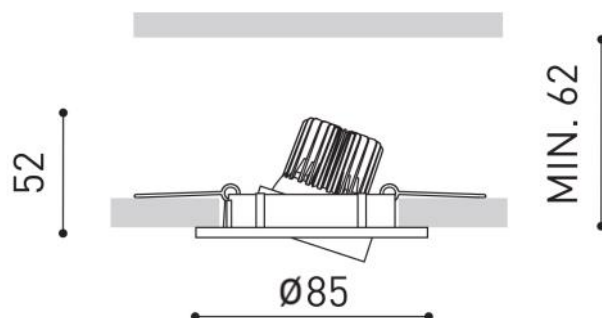
			P	CCT	I	Flux	LOR
DOT Square Tilt	A065-01-10-	W	5W	2700K	140mA	700 lm	92%
	A065-01-11-	W	5W	3000K	140mA	730 lm	92%
	A065-01-12-	W	5W	4000K	140mA	750 lm	92%
	A065-02- (C) -0-	W	7,5W	2700K	200mA	950 lm	92%
	A065-02- (C) -1-	W	7,5W	3000K	200mA	1000 lm	92%
	A065-02- (C) -2-	W	7,5W	4000K	200mA	1030 lm	92%

220
240 V~ |  IP20 | CRI>80 | L80B10
> 60.000h



(C) *OPTIONS

1	No DIM
2	DIM Phase Cut
3	DIM DALI Push



COLOUR | W RAL 9016 | NS |

MATERIAL |  AL |

 » 368

* OTHER DIM OPTIONS PLEASE CONSULT

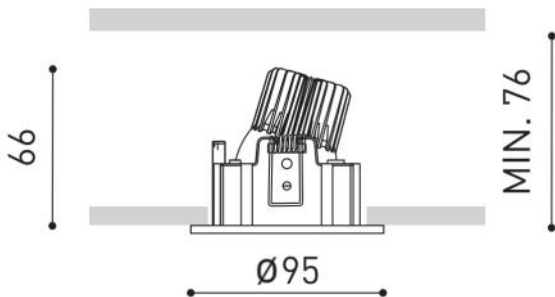
 &  » PLEASE CONSULT



			P	CCT	I	Flux	LOR
WIN	A111-01-10-	W	5W	2700K	140mA	700Lm	71%
	A111-01-11-	W	5W	3000K	140mA	730Lm	71%
	A111-01-12-	W	5W	4000K	140mA	750Lm	71%
	A111-02- Ⓞ -0-	W	7,5W	2700K	200mA	950Lm	71%
	A111-02- Ⓞ -1-	W	7,5W	3000K	200mA	1000Lm	71%
	A111-02- Ⓞ -2-	W	7,5W	4000K	200mA	1030Lm	71%

LED | 220-240 V~ | CE | IP20 | CRI>80 | L80B10 >60.000h

MacAdam Step 2 | OPTIONS* | INCL | FAST | CONNEC | 15° | Ø85 | 38°



Ⓞ *OPTIONS

1	No DIM
2	DIM Phase Cut

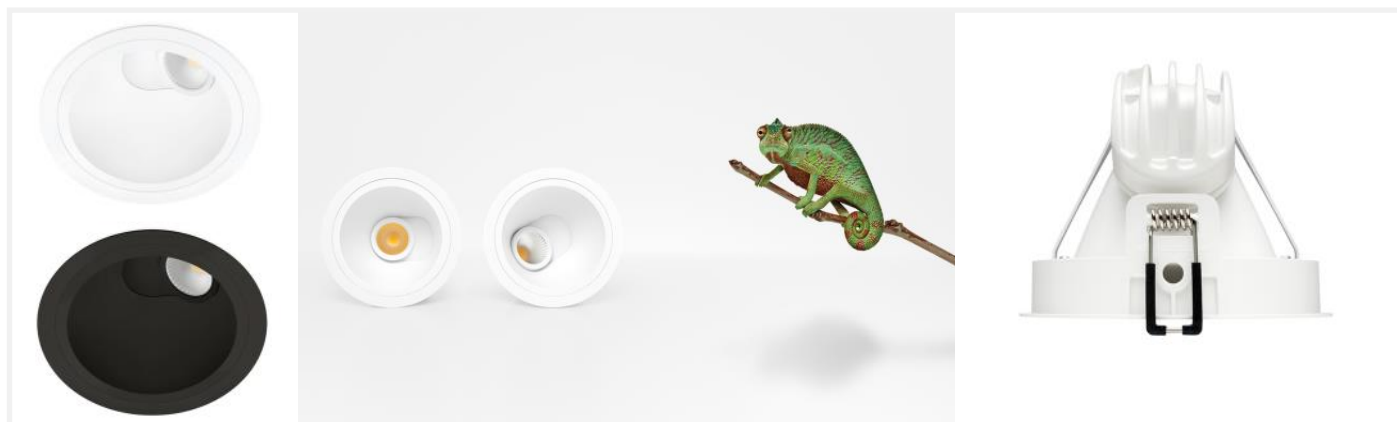
COLOUR | W □ RAL 9016 | MATERIAL | AL

ⓘ » 368

* OTHER DIM OPTIONS PLEASE CONSULT

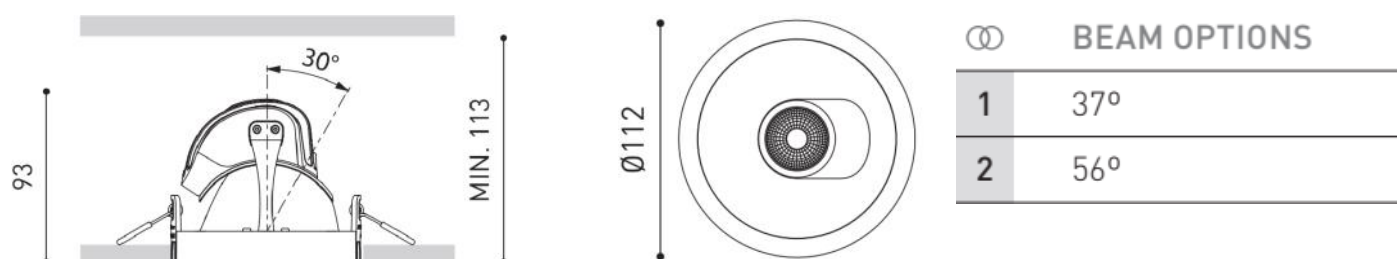
Ⓜ & 🔋 » PLEASE CONSULT

POINTER



		P	CCT	I	Flux	LOR
POINTER	A271-11- ☉ -0- W N	5W	2700K	150mA	680Lm	78%
	A271-11- ☉ -1- W N	5W	3000K	150mA	700Lm	78%
	A271-11- ☉ -2- W N	5W	4000K	150mA	720Lm	78%
	A271-21- ☉ -0- W N	7W	2700K	200mA	860Lm	78%
	A271-21- ☉ -1- W N	7W	3000K	200mA	900Lm	78%
	A271-21- ☉ -2- W N	7W	4000K	200mA	920Lm	78%
	A271-31- ☉ -0- W N	11W	2700K	300mA	1200Lm	78%
	A271-31- ☉ -1- W N	11W	3000K	300mA	1250Lm	78%
	A271-31- ☉ -2- W N	11W	4000K	300mA	1280Lm	78%
	A271-32- ☉ -0- W N	11W	2700K	300mA	1200Lm	78%
	A271-32- ☉ -1- W N	11W	3000K	300mA	1250Lm	78%
	PHASE CUT * A271-32- ☉ -2- W N	11W	4000K	300mA	1280Lm	78%
	A271-33- ☉ -0- W N	11W	2700K	300mA	1200Lm	78%
	A271-33- ☉ -1- W N	11W	3000K	300mA	1250Lm	78%
	DALI PUSH * A271-33- ☉ -2- W N	11W	4000K	300mA	1280Lm	78%

LED | 220/240 V~ | CE | IP20 | CRI>90 | L80B10 >60.000h | MacAdam | CONNEC | INCL | 355° | 30° | Ø105 | 37° / 56°



COLOUR | W RAL 9016 | NS | MATERIAL | AL | » 368

* OTHER DIM OPTIONS PLEASE CONSULT

& » PLEASE CONSULT

BATH



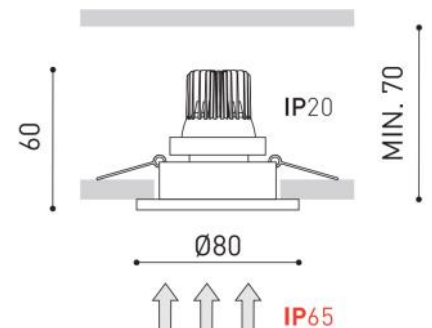
			P	CCT	I	Flux	LOR
BATH	A155-01-10-	W Q	5W	2700K	140mA	700Lm	75%
	A155-01-11-	W Q	5W	3000K	140mA	730Lm	75%
	A155-01-12-	W Q	5W	4000K	140mA	750Lm	75%
	A155-02- ① -0-	W Q	7,5W	2700K	200mA	950Lm	75%
	A155-02- ① -1-	W Q	7,5W	3000K	200mA	1000Lm	75%
① GL-TRANS	A155-02- ① -2-	W Q	7,5W	4000K	200mA	1030Lm	75%

			P	CCT	I	Flux	LOR
BATH Square	A157-01-10-	W Q	5W	2700K	140mA	700Lm	75%
	A157-01-11-	W Q	5W	3000K	140mA	730Lm	75%
	A157-01-12-	W Q	5W	4000K	140mA	750Lm	75%
	A157-02- ① -0-	W Q	7,5W	2700K	200mA	950Lm	75%
	A157-02- ① -1-	W Q	7,5W	3000K	200mA	1000Lm	75%
① GL-TRANS	A157-02- ① -2-	W Q	7,5W	4000K	200mA	1030Lm	75%

LED | 220/240 V~ | | IP65 | CRI>80 | L80B10 >60.000h |
 MacAdam Step 2 | OPTIONS* | INCL | FAST | CONNEC | Ø70 | IP20 | UGR < 19 | 38°

① *OPTIONS

1	No DIM
2	DIM Phase Cut



COLOUR | W RAL 9016 | Q MATERIAL | AL |

» 368

* OTHER DIM OPTIONS PLEASE CONSULT

& » PLEASE CONSULT

DROP Micro



				P	CCT	I	Flux	LOR
DROP Micro Trans 1	A223-01-10-	WT NT		5W	2700K	140mA	700Lm	80%
	A223-01-11-	WT NT		5W	3000K	140mA	730Lm	80%
	A223-01-12-	WT NT		5W	4000K	140mA	750Lm	80%
DROP Micro Trans 2	A223-02- ① -0-	WT NT		7,5W	2700K	200mA	950Lm	80%
	A223-02- ① -1-	WT NT		7,5W	3000K	200mA	1000Lm	80%
	A223-02- ① -2-	WT NT		7,5W	4000K	200mA	1030Lm	80%

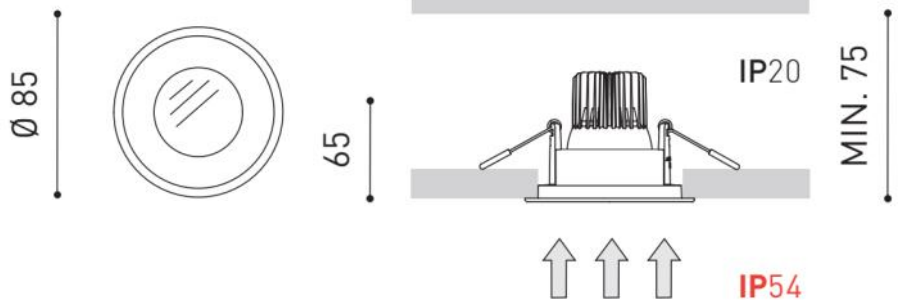


				P	CCT	I	Flux	LOR
DROP Micro 1	A224-01-10-	WT NT		5W	2700K	140mA	700Lm	72%
	A224-01-11-	WT NT		5W	3000K	140mA	730Lm	72%
	A224-01-12-	WT NT		5W	4000K	140mA	750Lm	72%
DROP Micro 2	A224-02- ① -0-	WT NT		7,5W	2700K	200mA	950Lm	72%
	A224-02- ① -1-	WT NT		7,5W	3000K	200mA	1000Lm	72%
	A224-02- ① -2-	WT NT		7,5W	4000K	200mA	1030Lm	72%



① *OPTIONS

1	No DIM
2	DIM Phase Cut



COLOUR | WT RAL 9016 | NT RAL 9005 | MATERIAL | AL | PMMA || AL | GL-TRANS | ⓘ » 368

* OTHER DIM OPTIONS PLEASE CONSULT

📶 & 🔋 » PLEASE CONSULT

BLACK FOSTER RECESSED

			P	CCT	I	Flux	LOR
BLACK FOSTER Recessed 1	A319-10-10-	N WN	2,1W	2700K	700mA	190Lm	90%
	A319-10-11-	N WN	2,1W	3000K	700mA	210Lm	90%
	A319-10-12-	N WN	2,1W	4000K	700mA	250Lm	90%
	A319-10-40-	N WN	2,1W	2700K	700mA	190Lm	90%
	A319-10-41-	N WN	2,1W	3000K	700mA	210Lm	90%
	A319-10-42-	N WN	2,1W	4000K	700mA	250Lm	90%

NO DIM

DALI

LED | 220-240 V~ | CE | IP20 | CRI>90 | L80B10 >60.000h | ELO1 | MacAdam Step 3 | CONNEC | INCL | 50 X 50 | UGR <19 | 38°



			P	CCT	I	Flux	LOR
BLACK FOSTER Recessed 2	A319-20- 0-0-	N WN	4,2W	2700K	700mA	380Lm	90%
	A319-20- 0-1-	N WN	4,2W	3000K	700mA	420Lm	90%
	A319-20- 0-2-	N WN	4,2W	4000K	700mA	500Lm	90%

LED | 220-240 V~ | CE | IP20 | CRI>90 | L80B10 >60.000h | ELO1 | MacAdam Step 3 | OPTIONS* | CONNEC | INCL | 50 X 93 | UGR <19 | 38°



			P	CCT	I	Flux	LOR
BLACK FOSTER Recessed 3	A319-30- 0-0-	N WN	6,3W	2700K	700mA	570Lm	90%
	A319-30- 0-1-	N WN	6,3W	3000K	700mA	630Lm	90%
	A319-30- 0-2-	N WN	6,3W	4000K	700mA	750Lm	90%

LED | 220-240 V~ | CE | IP20 | CRI>90 | L80B10 >60.000h | ELO1 | MacAdam Step 3 | OPTIONS* | CONNEC | INCL | 50 X 136 | UGR <19 | 38°



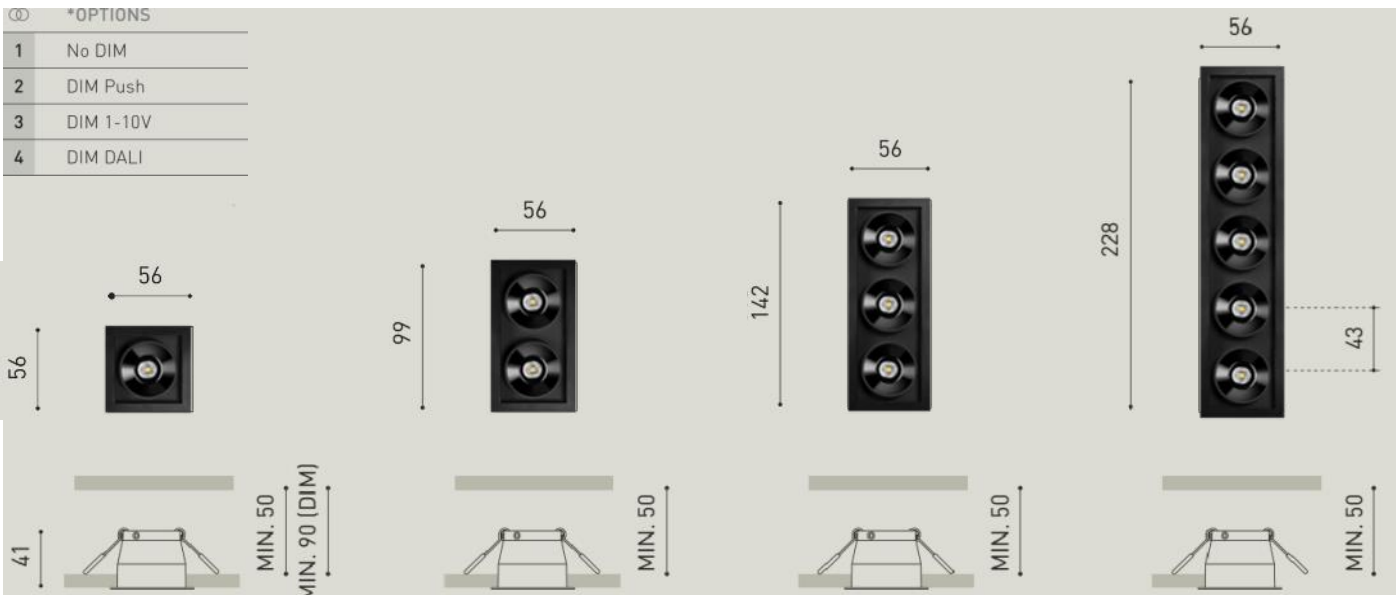
			P	CCT	I	Flux	LOR
BLACK FOSTER Recessed 5	A319-40- 0-0-	N WN	10,5W	2700K	700mA	950Lm	90%
	A319-40- 0-1-	N WN	10,5W	3000K	700mA	1050Lm	90%
	A319-40- 0-2-	N WN	10,5W	4000K	700mA	1250Lm	90%

LED | 220-240 V~ | CE | IP20 | CRI>90 | L80B10 >60.000h | ELO1 | MacAdam Step 3 | OPTIONS* | CONNEC | INCL | 50 X 222 | UGR <19 | 38°



*OPTIONS

1	No DIM
2	DIM Push
3	DIM 1-10V
4	DIM DALI



COLOUR | N ■ RAL 9005 | WN □ RAL 9016 | RAL 9005 | MATERIAL | PC | AL | ABS+PC | ⓘ » 056

Ⓜ & 🔋 » PLEASE CONSULT

LEX ECO MINI



			P	CCT	I	Flux	LOR
LEX ECO MINI 1	A378-01-10-	W R G Z WN N	6,5W	2700K	200mA	910Lm	70%
	A378-01-11-	W R G Z WN N	6,5W	3000K	200mA	940Lm	70%
	A378-01-12-	W R G Z WN N	6,5W	4000K	200mA	960Lm	70%
LEX ECO MINI Blue 1	A378-11-10-	W	6,5W	2700K	200mA	910Lm	70%
	A378-11-11-	W	6,5W	3000K	200mA	940Lm	70%
	A378-11-12-	W	6,5W	4000K	200mA	960Lm	70%
LEX ECO MINI 2	A378-02- ① -0-	W R G Z WN N	12W	2700K	350mA	1400Lm	70%
	A378-02- ① -1-	W R G Z WN N	12W	3000K	350mA	1460Lm	70%
	A378-02- ① -2-	W R G Z WN N	12W	4000K	350mA	1480Lm	70%
LEX ECO MINI Blue 2	A378-12- ① -0-	W	12W	2700K	350mA	1400Lm	70%
	A378-12- ① -1-	W	12W	3000K	350mA	1460Lm	70%
	A378-12- ① -2-	W	12W	4000K	350mA	1480Lm	70%

LED | 220/240 V~ | CE | IP20 | CRI>90 | L80B10 >60.000h

MacAdam Step 2 | CONNEC | OPTIONS* | INCL | Ø105 | 70°

P CCT I Flux LOR

LEX ECO MINI Tunable White A378-00-28- | W | R | G | Z | WN | N | 10,5W 2700-5000K 600mA 1250Lm 70%

LEX ECO MINI Blue Tunable White A378-10-28- | W | 10,5W 2700-5000K 600mA 1250Lm 70%

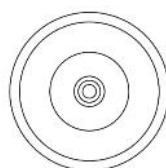
LED | 220/240 V~ | CE | IP20 | CRI>90 | L80B10 >55.000h

MacAdam Step 3 | CONNEC | DALI* | INCL | Ø105 | 71°

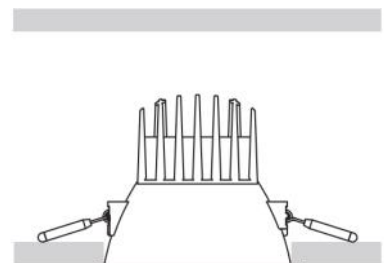
① *OPTIONS

1	No DIM
2	DIM DALI
3	DIM Push

Ø 114



95



MIN 115

COLOUR W □ | R ■ | G ■ | Z ■ | WN □ | N ■

MATERIAL AL | PC

* OTHER DIM OPTIONS PLEASE CONSULT
** ACCESSORY & COLOURS MAY AFFECT THE LIGHTING PARAMETERS

Bluetooth & DALI >> PLEASE CONSULT

SUNDI - 5363-xx



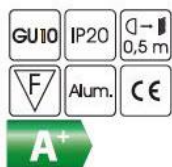
Art. Nr. **5363-02-02** (weiß-weiß)
230V · GU10 · 50W



Art. Nr. **5363-03-03** (schwarz-schwarz)
230V · GU10 · 50W



Leuchtmittel 20 mm
zurückversetzt,
dreh- und schwenkbar,
ohne Leuchtmittel

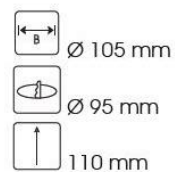


Art. Nr. **5363-03-03** (schwarz-schwarz)
230V · 50W · GU10

Montur: **03** Innen: **03**

Art. Nr. **5363-02-02** (weiß-weiß)
230V · 50W · GU10

Montur: **02** Innen: **02**



Arkos Einbauleuchten Schwenkbar

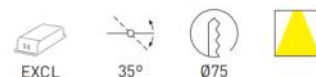


P

BASIC Tilt Extra 12V

0321-01-01- | W | NS |

MAX 50W



BASIC Tilt Extra 230V

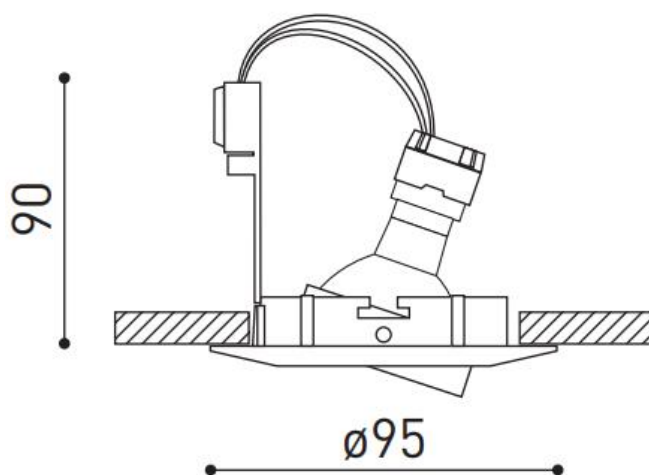
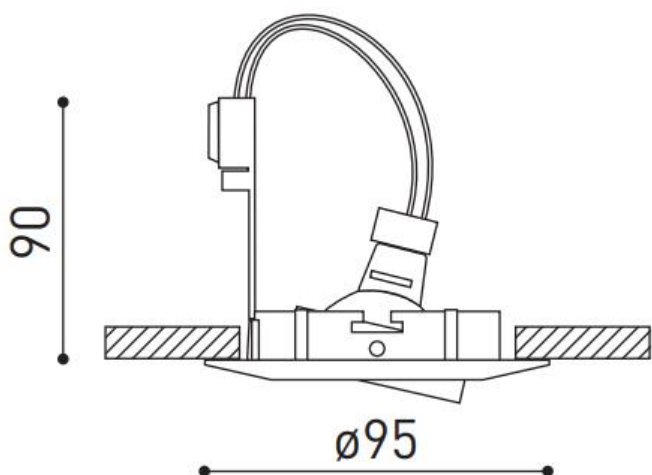
0325-01-01- | W | NS |

MAX 50W



12V Ref 321

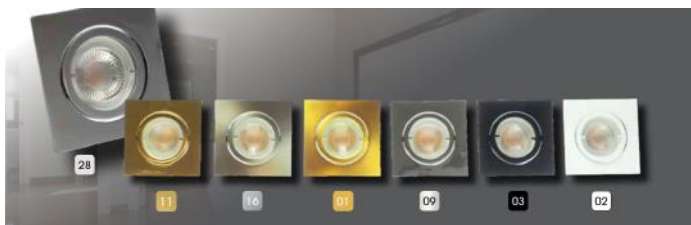
230V Ref 325



COLOUR | W □ RAL 9016 | NS ■ |

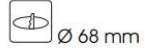
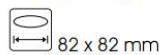
MATERIAL | AL |

» 368



Art. Nr. **5054-01, -02, -03, -09, -11, -16, -28**
 12V · MR16 · 50W

Art. Nr. **5054H-01, -02, -03, -09, -11, -16, -28**
 230V · GU10 · 50W

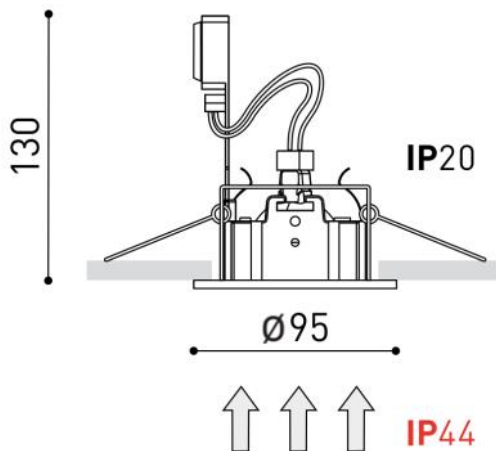


Schwenkbar,
 Bajonettverschluß
 *Karton (50 Stk.)

Montur: **01** **02** **03** **09** **11** **16** **28**

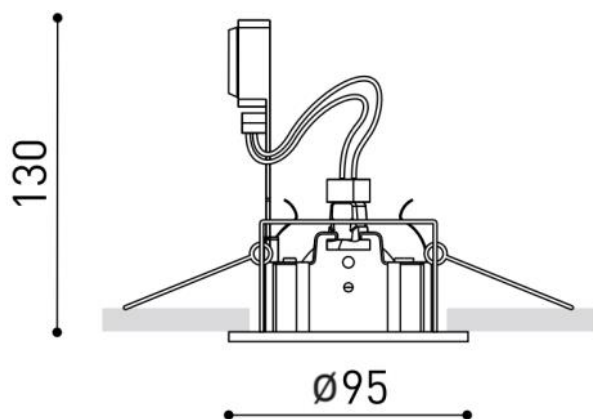
01 Gold **02** Weiß **03** Schwarz **09** Chrom **11** Gold gebürstet **16** Nickel satiniert **28** Chrom matt

WIN GZ10 IP44



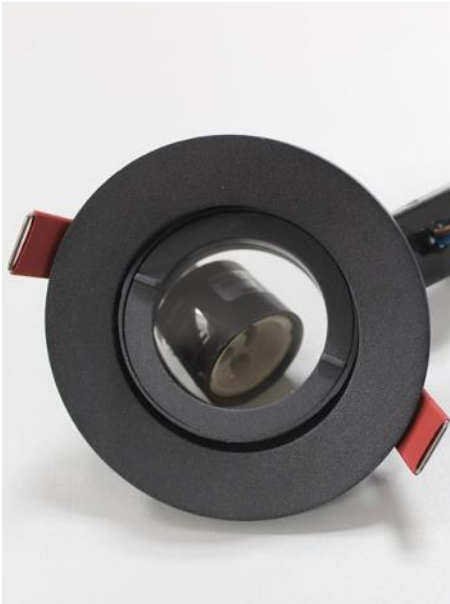
WIN IP44 230V 0331-00-00- | W | GL-MATT MAX 50W
 GZ10 220/240 V~ | CE IP44 15° Ø85

WIN GZ10 IP20



WIN 230V 0302-00-00- | W | MAX 50W
 GZ10 220/240 V~ | CE IP20 15° Ø85

Start Spot Housing

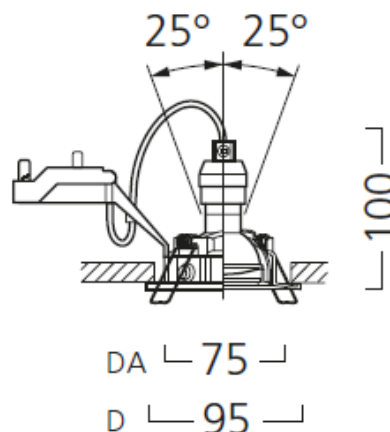


- Attraktive Reihe von Einbau-Downlights gemäß der europäischen Norm zur Nutzung in Feuchtbereichen
- Stabile Montagefedern, ein Schutzglas (IP44) und eine Schutzplatte zwischen Verkabelung und Lampe
- Der äußere Ringdurchmesser ist 20mm größer als der Ausschnitt, sodass alle unregelmäßigen Kanten des Ausschnitts überdeckt werden
- Outdoor Version mit Korrosionsschutzbeschichtung (Weiß oder Anthrazit)
- IP44 gemäß EN 60432-1
- Geeignet für Halogen- und LED-Reflektorlampen

Einbauleuchte

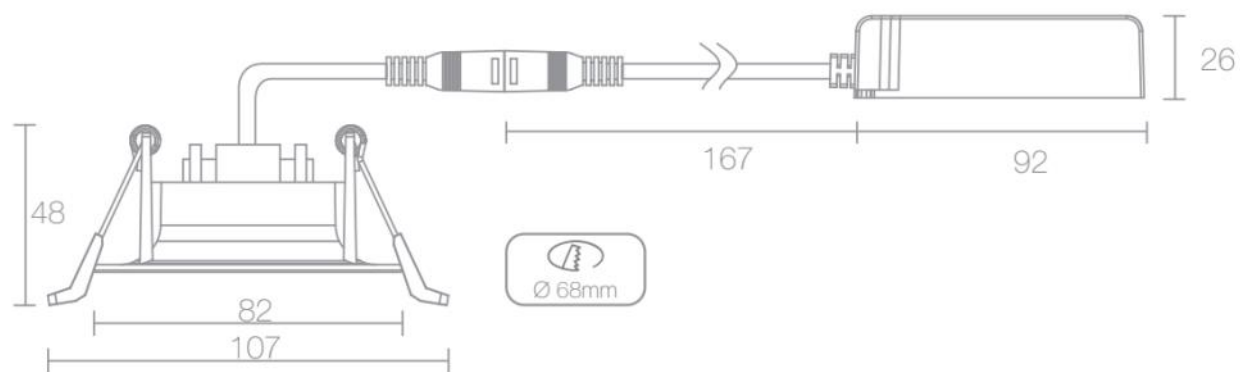
Weiss Art. Nr. 00005675

Schwarz Art. Nr. 0005677



75 Swing IP44 indoor/outdoor
Mindesteinbaumaße:

200x200x100mm



LED Einbauleuchte

KL-DL-127-3

Lumen 850lm

Lichtleistung 850lm

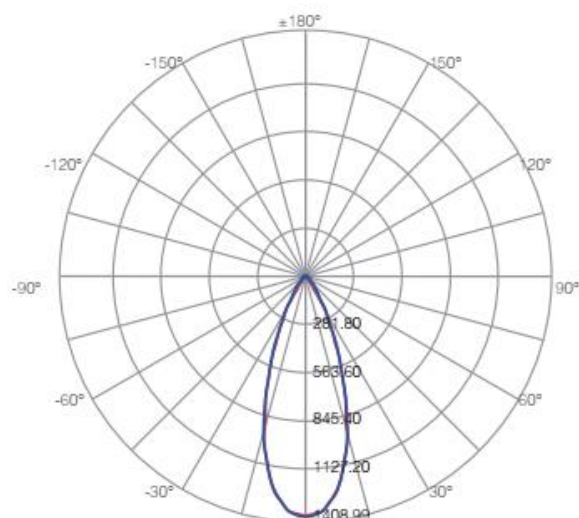
Ausstrahlwinkel 38°

Lichtfarbe 3000K

IP-Schutz IP44

Höhe 48mm

Option Dimmbar L/C

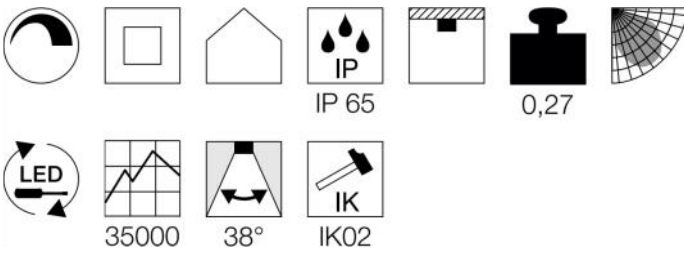


3000K

SLV – KAMUELA



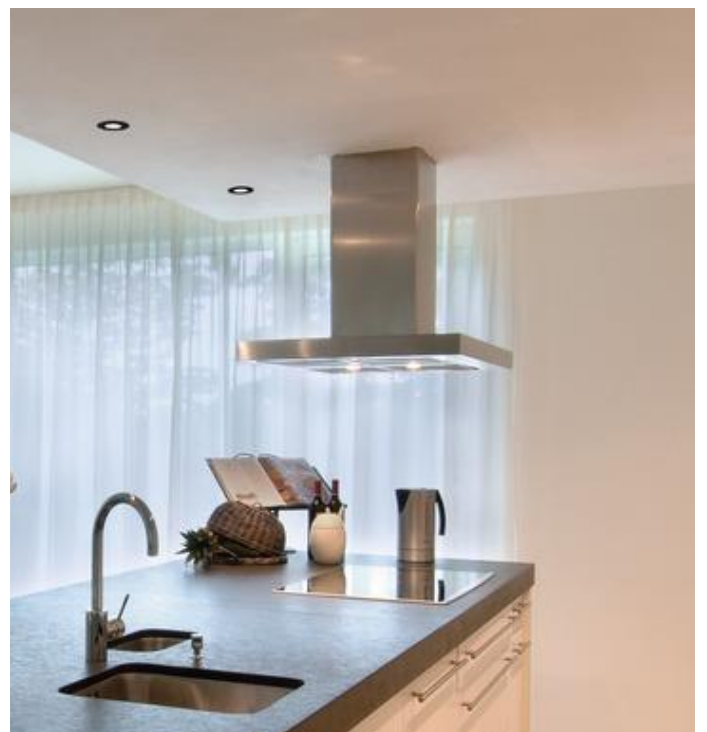
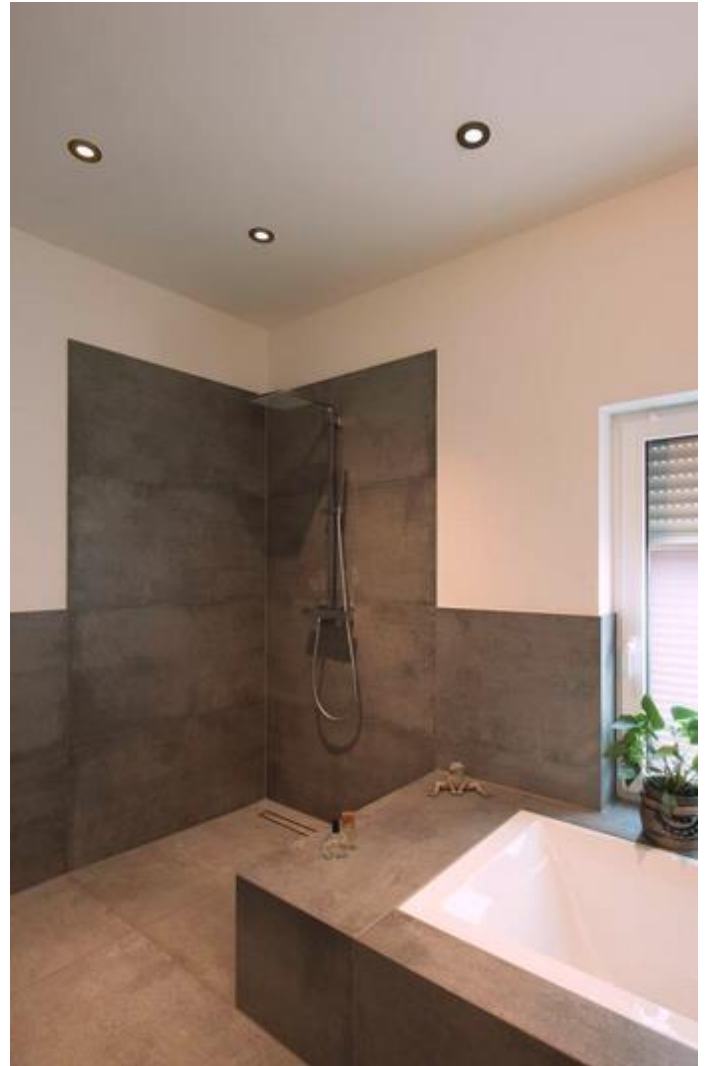
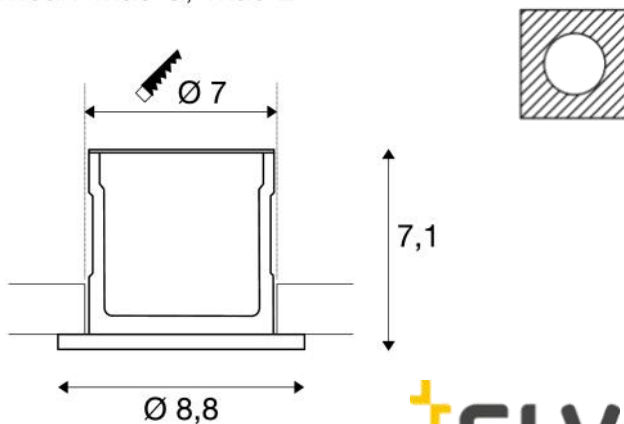
Variante	Art. Nr.
400lm 3000K CRI>80 ■ schwarz	1001015
400lm 3000K CRI>80 □ weiß	1001016



Die feuerfeste Einbauleuchten Kamuela ist für mindestens 90 Minuten Feuerbeständig.

Produktangaben

220-240V ~50Hz
 Systemleistung: 7,8W
 Material: Aluminium
 Dimmbar: Triac C, Triac L





			P	CCT	BEAM	I	Flux	LOR
WELLIT S 1	A380-11-11-	WT NT	5W	3000K	19°	150mA	700 lm	80%
	A380-11-12-	WT NT	5W	4000K	19°	150mA	710 lm	80%
	A380-11-21-	WT NT	5W	3000K	26°	150mA	700 lm	89%
	A380-11-22-	WT NT	5W	4000K	26°	150mA	710 lm	89%
	A380-11-31-	WT NT	5W	3000K	41°	150mA	700 lm	84%
	A380-11-32-	WT NT	5W	4000K	41°	150mA	710 lm	84%
WELLIT S 2	A380-2- Ⓞ -11-	WT NT	7W	3000K	19°	200mA	940 lm	80%
	A380-2- Ⓞ -12-	WT NT	7W	4000K	19°	200mA	960 lm	80%
	A380-2- Ⓞ -21-	WT NT	7W	3000K	26°	200mA	940 lm	89%
	A380-2- Ⓞ -22-	WT NT	7W	4000K	26°	200mA	960 lm	89%
	A380-2- Ⓞ -31-	WT NT	7W	3000K	41°	200mA	940 lm	84%
	A380-2- Ⓞ -32-	WT NT	7W	4000K	41°	200mA	960 lm	84%

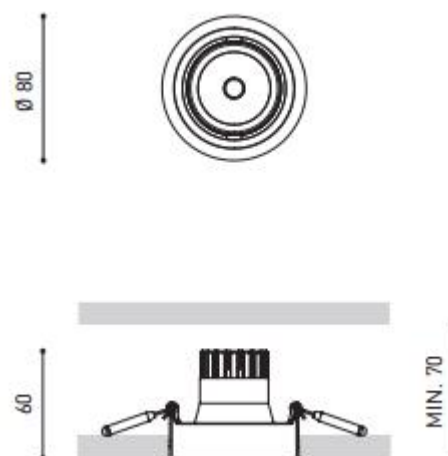
220
240 V~ | IP20 | CRI>90 | L80B10 > 60.000h



Ⓞ *OPTIONS

1	No DIM
2	DIM DALI
3	DIM Push

DIM PHASE CUT PLEASE CONSULT



Wellit M



			P	CCT	BEAM	I	Flux	LOR
WELLIT M 1	A381-11-11-	WT NT	8W	3000K	19°	250mA	1190 lm	81%
	A381-11-12-	WT NT	8W	4000K	19°	250mA	1210 lm	81%
	A381-11-21-	WT NT	8W	3000K	24°	250mA	1190 lm	83%
	A381-11-22-	WT NT	8W	4000K	24°	250mA	1210 lm	83%
	A381-11-31-	WT NT	8W	3000K	39°	250mA	1190 lm	83%
	A381-11-32-	WT NT	8W	4000K	39°	250mA	1210 lm	83%
WELLIT M 2	A381-2- (O) -11-	WT NT	15W	3000K	19°	450mA	1970 lm	81%
	A381-2- (O) -12-	WT NT	15W	4000K	19°	450mA	2000 lm	81%
	A381-2- (O) -21-	WT NT	15W	3000K	24°	450mA	1970 lm	83%
	A381-2- (O) -22-	WT NT	15W	4000K	24°	450mA	2000 lm	83%
	A381-2- (O) -31-	WT NT	15W	3000K	39°	450mA	1970 lm	83%
	A381-2- (O) -32-	WT NT	15W	4000K	39°	450mA	2000 lm	83%

220
240 V- | IP20 | CRI>90 | L80B10 >60.000h



			P	CCT	BEAM	I	Flux	LOR
WELLIT M Tunable White	A381-02-18-	WT NT	10,5W	2700-5000K	14°	600mA	1250 lm	83%
	A381-02-28-	WT NT	10,5W	2700-5000K	20°	600mA	1250 lm	82%
	A381-02-38-	WT NT	10,5W	2700-5000K	34°	600mA	1250 lm	80%

220
240 V- | IP20 | CRI>90 | L80B10 >55.000h



(O) *OPTIONS

1	No DIM
2	DIM DALI
3	DIM Push

DIM PHASE CUT PLEASE CONSULT



			P	CCT	BEAM	I	Flux	LOR
WELLIT L 1	A382 -11-11-	WT NT	15W	3000K	14°	450mA	2060 lm	90%
	A382 -11-12-	WT NT	15W	4000K	14°	450mA	2100 lm	90%
	A382 -11-21-	WT NT	15W	3000K	22°	450mA	2060 lm	91%
	A382 -11-22-	WT NT	15W	4000K	22°	450mA	2100 lm	91%
	A382 -11-31-	WT NT	15W	3000K	42°	450mA	2060 lm	91%
	A382 -11-32-	WT NT	15W	4000K	42°	450mA	2100 lm	91%
WELLIT L 2	A382 -2- ① -11-	WT NT	25W	3000K	14°	700mA	2960 lm	90%
	A382 -2- ① -12-	WT NT	25W	4000K	14°	700mA	3000 lm	90%
	A382 -2- ① -21-	WT NT	25W	3000K	22°	700mA	2960 lm	91%
	A382 -2- ① -22-	WT NT	25W	4000K	22°	700mA	3000 lm	91%
	A382 -2- ① -31-	WT NT	25W	3000K	42°	700mA	2960 lm	91%
	A382 -2- ① -32-	WT NT	25W	4000K	42°	700mA	3000 lm	91%

220
240 V- |  IP20 | CRI>90 | L80B10 >50.000h



			P	CCT	BEAM	I	Flux	LOR
WELLIT L Tunable White	A382-02-18-	WT NT	21,5W	2700-5000K	12°	600mA	2300 lm	89%
	A382-02-28-	WT NT	21,5W	2700-5000K	21°	600mA	2300 lm	84%
	A382-02-38-	WT NT	21,5W	2700-5000K	43°	600mA	2300 lm	87%

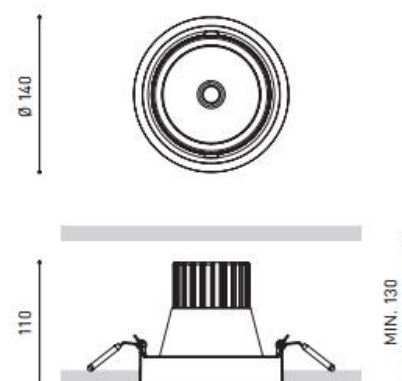
220
240 V- |  IP20 | CRI>90 | L80B10 >55.000h



① *OPTIONS

1	No DIM
2	DIM DALI
3	DIM Push

DIM PHASE CUT PLEASE CONSULT



lichtmacher

Wir bringen Licht

„ Dunkelheit existiert nicht, nur die Abwesenheit von Licht. “



Dies ist nur ein kleiner Ausschnitt aus unserem Gesamtsortiment.
Fragen Sie uns an.